



Home Generator Systems

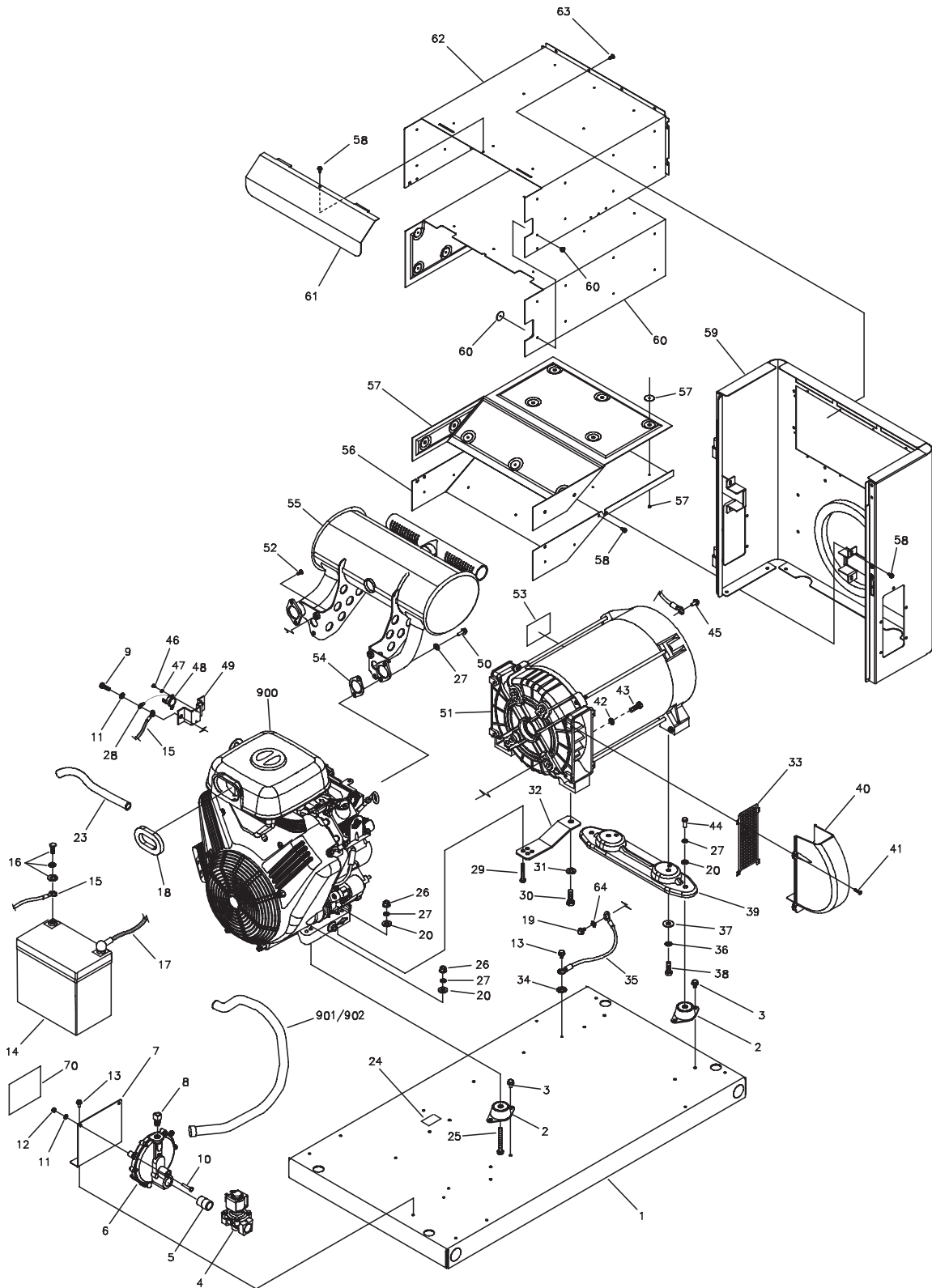
Illustrated Parts List

**Model
040277**

**18000 Rated Watts
Home Generator System**

Manual No. 202827A Rev. D (03/31/2008)

Exploded View - Main Unit



Copyright © 2008 Briggs & Stratton Power Products Group, LLC. All rights reserved. No part of this material may be reproduced or transmitted in any form by any means without the express written permission of Briggs & Stratton Power Products Group, LLC.

Illustrated Parts List - Main Unit

Item	Part #	Description
1	AA203030GS	BASE, Mounting
2	187594GS	MOUNT, Vibration
3	24910GS	HHS, Trilobular 5/16 - 18 x 1/2
4	194683GS	SOLENOID, Gas Fuel
5	194829GS	FITTING, Coupling
6	194830GS	REGULATOR
7	195936GS	BRACKET, Mounting Solenoid
8	202382GS	FITTING, 3/4 Flare to 3/8 NPT
9	*	HHCS, M6 - 1.0 x 16
10	*	HHCS, M6 - 1.0 x 30
11	*	WASHER, 1/4 Lock
12	*	NUT, M6 - 1.0
13	B4300GS	HHS, Trilobular, 1/4 - 20 x 1/2
14	194818GS	BATTERY
15	185939UGS	WIRE-A, Black
16	198913GS	KIT, Battery Hardware
17	198593DGS	WIRE-A, Red
18	202958GS	TUBE, Air Cleaner
19	B4995GS	HHS, Trilobular, 1/4-20 x 7/8
20	*	WASHER, Flat 5/16 - M8
23	1723165SM	HOSE, Oil Drain
24	186649GS	DECAL, Oil Drain
25	*	HHCS, 5/16 - 18 x 2.5 Full Thread
26	*	NUT, 5/16 - 18
27	*	WASHER, Lock 5/16 - M8
28	186790CGS	WIRE
29	*	HHCS, 5/16 - 18 x 2"
30	*	HHCS, M12 - 1.75 x 35
31	*	WASHER, M12
32	B194685GS	SUPPORT, Engine/Alternator, Black
33	202922GS	SCREEN
34	*	WASHER, Shakeproof Ext. M6-1/4
35	185939WGS	WIRE, Ground
36	*	WASHER, 3/8 Lock
37	*	WASHER, Flat, 3/8 - M10
38	*	HHCS, 3/8 - 16 x 1
39	B198896GS	BRACKET, Mounting Alternator, Black
40	202761GS	DUCT, Air
41	*	SCREW, M5.8 x 10, Taptite
42	*	WASHER, Lock 3/8
43	*	SHCS, 3/8 - 16 x 1-1/4
44	*	HHCS, 5/16 - 18 x 3/4
45	B4300GS	HHS, Trilobular, 1/4 - 20 x 1/2
46	*	PPHMS, 4-40 x 0.19
47	*	WASHER, Lock #4

Item	Part #	Description
48	186205GS	SWITCH, Oil Temp
49	194699GS	PLATE, Switch Oil Temp
50	809743	SCREW
51	NSP	ASSY, Alternator (see page 7)
52	692062	SCREW
53	193506GS	DECAL, Caution Hot Surface
54	809872	GASKET
55	202885GS	MUFFLER
56	202884GS	BASE, Muffler Box
57	203533GS	KIT, Insulation, Muffler Box Base
58	56893GS	CRIMPTITE, 10 - 24 x 1/2
59	203407GS	ASSY, Bulkhead, Alternator End w/Insulation
60	203534GS	KIT, Insulation, Muffler Box Top
61	194682GS	COLLECTOR, Muffler Box
62	202883GS	BOX, Muffler Top
63	192445GS	SCREW, 10 - 32 x 5/8
64	*	WASHER, M6 Shakeproof
70	205397GS	DECAL, Requirements, Fuel ENGINE
900	§	ENGINE
901	843644	FUEL HOSE
902	843438	CLAMP

Items Not Illustrated

203420GS	MANUAL, Install
203421GS	MANUAL, Operator's
MS3483	MANUAL, Engine
203408GS	KIT, Manual/Accessory, HGS
203374GS	PAINT, Touchup, HGS, Continuum Charcoal
198811GS	PAINT, Touchup, Metallic Silver 1/2 oz Bottle
B3518GS	CAP, Funnel Oil Bottle
202295GS	HOSE, Flex
198866GS	KIT, Led Remote
204022GS	KIT, Decals, Service

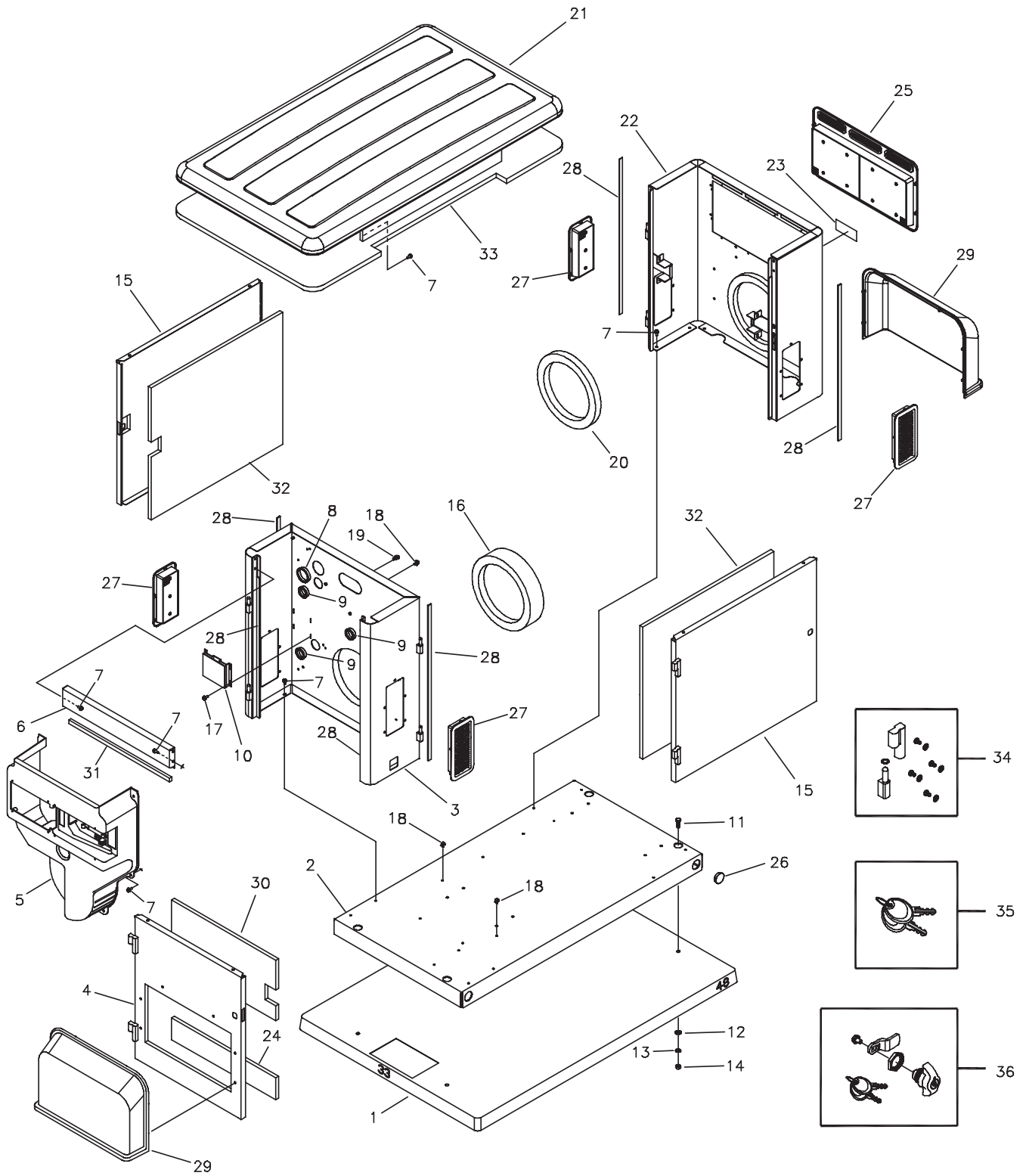
Optional Accessories

199475GS	PAINT, Touchup, Spray, Silver, 12oz
203417GS	PAINT, Touchup, Spray, Continuum Charcoal, 12oz
6030	KIT, Cold Weather (Includes Battery and Oil Warmers)

* - Items without part numbers are common fasteners and are available at local hardware stores.

§ - Contact Engine Manufacturer

Exploded View - Enclosure

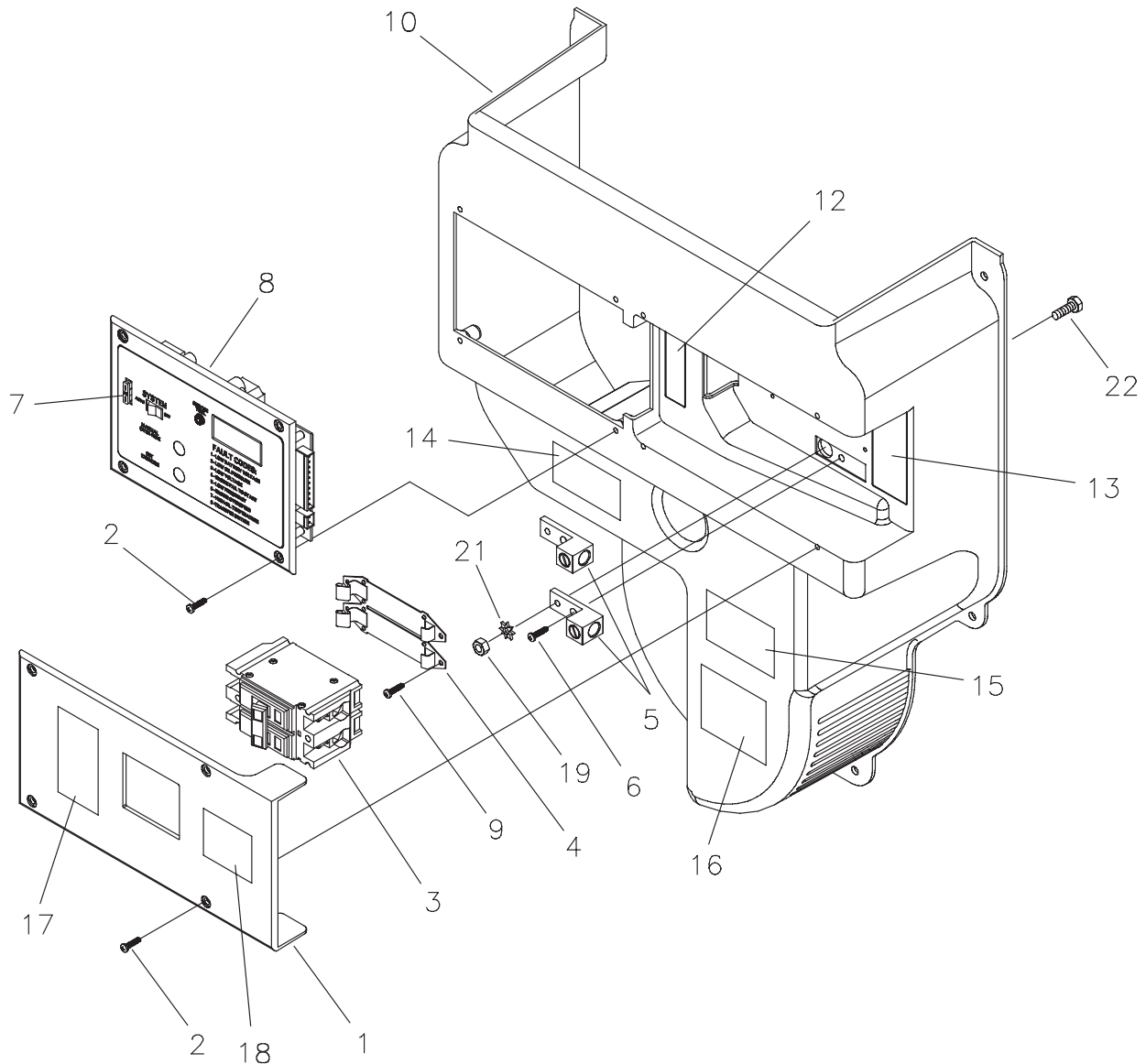


Illustrated Parts List - Enclosure

Item	Part #	Description	Item	Part #	Description
1	197275GS	PAD, Mounting w/ Holes	16	202956GS	SEAL, Foam, Engine Air
2	AA203030GS	BASE, Mounting	17	192778GS	HHS, Trilobular, #8-32 x 1/2
3	204020GS	ASSY, Bulkhead, Engine End	18	195733GS	MOUNT, Tie Wrap
		. Bulkhead, Engine End	19	192940GS	RETAINER, Hose
		. Decal, Fuel Inlet	20	202957GS	SEAL, Foam, Alternator Inlet
		. Seal, Foam	21	198893GS	ASSY, Roof/Siderails
		. Seal, Foam Engine Air			. Weldment Roof/Siderails
		. Bushing, 1-1/2			. Insulation
		. Bushing, 1-3/8	22	203407GS	ASSY, Bulkhead, Alternator End
		. Plug, Dome 1-1/2			. Decal, Caution Hot Muffler
		. Pin, Hinges with Hardware			. Seal, Foam
4	203380GS	ASSY, Door, Engine End			. Seal, Foam Alternator Inlet
		. Weldment, Door Engine End			. Pin, Hinges with Hardware
		. Insulations			. Bracket, Muffler
		. Barrel, Hinges with Hardware	23	200409GS	DECAL, Caution Hot Muffler
5	198910GS	ASSY, Duct, Engine Air	24	203303GS	INSULATION, Engine Door, Bottom
		. Decals	25	198926GS	ASSY, Vent, Exhaust
		. Lug, Ground Connect w/Hardware	26	198460GS	PLUG, Dome
		. Bracket, Mounting Breaker	27	198927GS	ASSY., Vent, Alternator
		. w/Hardware	28	198888GS	SEAL, Foam
6	203385GS	ASSY, Support, Rail	29	194694GS	COVER, Air Intake Engine
		. Support Rail Engine End	30	203302GS	INSULATION, Engine Door, Top
		. Seal, Foam	31	197312GS	SEAL, Foam
		. Decal, Rainproof	32	196397GS	INSULATION, Front/Rear Door
7	B4300GS	HHS, Trilobular, 1/4-20 x 1/2	33	195597GS	INSULATION, Roof
8	203015GS	BUSHING, Snap, 2"	34	198890GS	KIT, Door, Hinge
9	197493GS	BUSHING, Snap, 1-1/2"	35	194828GS	SET, Latch Key
10	198338GS	REGULATOR, Voltage	36	198889GS	KIT, Door Latch
11	*	HHCS, 3/8 - 16 x 1			
12	*	WASHER, Flat, 3/8 - M10			
13	*	WASHER, Lock 3/8			
14	*	NUT, 3/8 - 16			
15	203381GS	ASSY, Door			
		. Weldment Door			
		. Insulation			
		. Barrel Hinges with Hardware			
		. Decals			

* - Items without part numbers are common fasteners and are available at local hardware stores.

Exploded View & Illustrated Parts List - Control Panel



Item	Part #	Description
1	198911GS	ASSY, Cover, Circuit Breaker w/Decals
2	*	SCREW, 10 x 0.62, Plastite
3	202593GS	BREAKER, Circuit 100A, 2P
4	192770GS	BRACKET, Mounting Breaker
5	199011GS	LUG, Ground Connect
6	191991GS	BOLT, 1/4-10 x 1, Plastite
7	198573GS	FUSE, Auto Type 15 Amp
8	202118GS	ASSY, Control Panel
9	197492GS	SCREW, PT, M4 - 1.79 x 16.0
10	198910GS	ASSY, Duct, Engine Air w/Decals
12	198549GS	DECAL, Terminal Block
13	198550GS	DECAL, Ground, Neutral
14	205393GS	DECAL, Warning, Outdoor Install
15	193297GS	DECAL, Caution, Standby
16	205392GS	DECAL, Warning, Auto Start

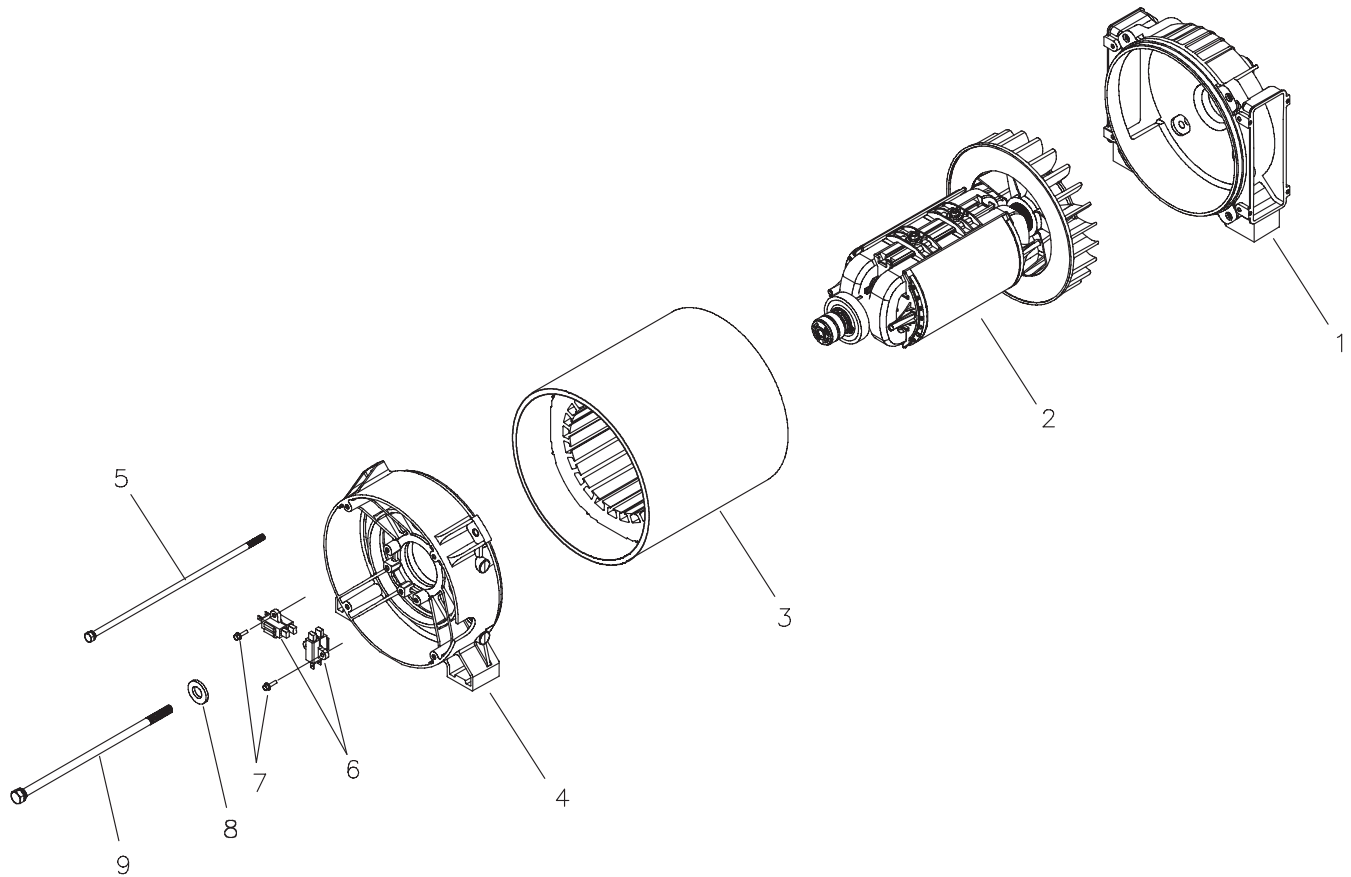
Item	Part #	Description
17	205394GS	DECAL, Caution, Electric Shock
18	205395GS	DECAL, Warning Shock
19	*	NUT, 1/4 - 20
21	*	WASHER, Shakeproof, Ext M6 1/4
22	*	HHCS, 1/4 - 20 x 3/4

Items Not Illustrated

202882GS	HARNESS, Wire, CTL Board to Engine/Alternator
198517GS	HARNESS, Wire, E1 & E2 Sensing
203020GS	HARNESS, AVR
198515GS	CONNECTOR, Terminal, 2 Pin
198516GS	CONNECTOR, Terminal, 10 Pin

* - Items without part numbers are common fasteners and are available at local hardware stores.

Exploded View & Illustrated Parts List - Alternator



Item	Part #	Description
1	195235GS	ADAPTER, Mounting, Alternator
2	199252GS	ASSY, Rotor
3	199254GS	STATOR
4	195234GS	RBC
5	197177GS	HEX HEAD, SEM Screw
6	66386GS	ASSY, Holder, Brush
7	66849GS	TAPTITE, M5 - 0.8 x 16
8	203200GS	WASHER, 3/8" SAE
9	200442GS	BOLT, 3/8 - 24 x 15.20"